

Diffrient World marks Humanscale's first foray into all-mesh task seating. Like its mesh-backed forerunner, Liberty, Diffrient World's tri-panel backrest hugs the body to provide tailor-made lumbar support, while its mesh seat eliminates contact stress under the thighs. But Diffrient World's major innovation is its mechanism-free recline action, which leverages two parts of the chair's frame, the user's body weight, and the laws of physics to provide automatic and balanced support throughout the full range of recline. No chair is more intuitive, creating the ultimate user-friendly sitting experience.



PHYSICAL CHARACTERISTICS

CUSHIONS

- Non-stretch, tri-panel mesh back
- Non-stretch mesh seat
- Optional upholstered polyurethane foam seat cushion

EXTERNAL FRAME

- Injection-molded, structural, integral color glass-filled Nylon 6

STORED ENERGY DEVICES

- Pneumatic cylinder for adjustable seat height

OPTIONAL FOOT RING

- Chrome-plated steel

ENVIRONMENTAL HIGHLIGHTS

- Weighs only 30 lbs.
- Modular parts for easy replacement
- Designed for easy disassembly with clear recycling instructions
- Ships in packaging that contains recycled content or blanket-wrapped, when feasible
- 15-year 24/7 warranty for a long life of service
- BIFMA level® and GREENGUARD certified
- Contributes to LEED certification in a number of areas



STANDARD FEATURES

SELF-ADJUSTING RECLINE

- Mechanism-free counter-balance recline action automatically provides the right amount of support through the full range of recline motion, regardless of user size and weight
- No tension springs to adjust
- No recline locks to set/release
- During recline, the angle between torso and legs opens up for better body function
- User maintains near-constant eye level during recline

PIVOTING BACKREST

- Extra motion of the backrest during recline automatically adjusts to the changing needs of the spine
- Provides additional lumbar support as needed

FORM-SENSING MESH

- Tri-panel, non-stretch mesh construction creates body-fitting contours and self-adjusting lumbar support for a customized fit
- No external lumbar devices to adjust, break or lose
- Low-abrasion mesh protects clothing
- Modular for easy replacement and upgrades

NON-STRETCH MESH SEAT

- Automatically sculpts to match body contours
- Cradles the body in flexible, breathable mesh
- Frameless front edge eliminates contact stress under the thighs

STANDARD CYLINDER

- Provides seat height range that accommodates 95% of the population

BODY FIT

- Size adjustable to fit 95% of the population
- Form-sensing mesh provides perfect lumbar support—automatically
- Manual adjustments for fit-to-size:
 - Seat Height: 5" (127 mm) adjustment range
 - Seat Depth: 3.5" (89 mm) adjustment range

CASTERS

- 3" (76 mm) standard hard casters

OPTIONAL FEATURES

ARMREST OPTIONS

- Armless
- Fixed armrests
- Height-adjustable armrests with 3.2" (81 mm) range of adjustment

ARM PAD OPTIONS

- Flexible Duron
- Matching textile-covered arm pad

UPHOLSTERED SEAT CUSHION

- Mesh topped with a thin layer of polyurethane foam

- Upholstered in a variety of textile options

CYLINDER OPTIONS

- Low cylinder for small users
- Tall cylinder for very tall users
- High cylinder with foot ring

FIREPROOFING

- CAL 133 certified

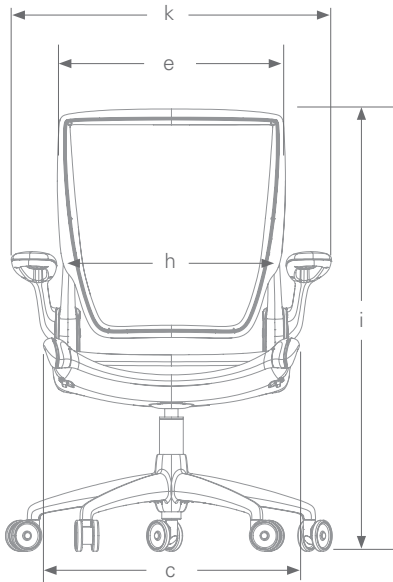
CASTER OPTIONS

- Non-rolling glides for fixed location use
- Optional soft casters for hard floors

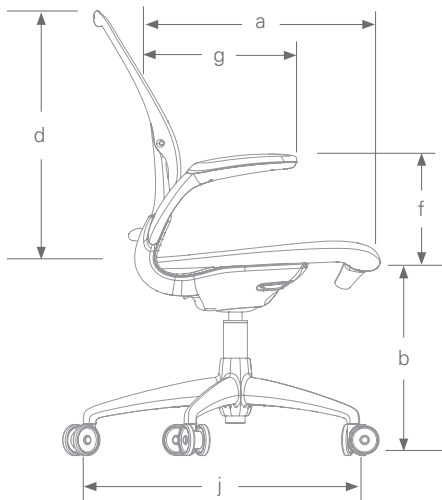
FOOT RING

- Chrome finish
- Height adjustable

SPECIFICATIONS



CODE	DESCRIPTION	MEASUREMENT
a	seat depth <i>(from face of lumbar to front of seat)</i>	16.5" – 20" (419 mm – 508 mm)
b	seat height <i>(from floor to compressed front center of seat cushion)</i>	16" – 21" (406 mm – 533 mm) standard chair 15.25" – 19" (387 mm – 483 mm) low chair 17" – 22.25" (432 mm – 565 mm) tall chair 20.5" – 28.5" (521 mm – 724 mm) high cylinder with foot ring
c	seat width	21.1" (536 mm)
d	backrest height <i>(from seat cushion to top of backrest)</i>	23" (584 mm)
e	backrest width	19" (483 mm)
f	armrest height <i>(from compressed seat cushion to top of armrest)</i>	9.75" (248 mm) fixed 7.75" – 11" (198 mm – 279 mm) adjustable
g	armrest length <i>(from face of lumbar to front of armrest)</i>	12.5" (318 mm)
h	distance between armrests	19" (483 mm)
i	height	36.5" – 41.5" (927 mm – 1,054 mm) standard chair 35.75" – 39.5" (908 mm – 1,003 mm) low-cylinder chair 37.5" – 42.75" (953 mm – 1,086 mm) tall-cylinder chair 41" – 49" (1,041 mm – 1,245 mm) high cylinder chair with foot ring
j	base diameter	24" (610 mm)
k	chair width	26" (660 mm)



SCOPE OF USERS

- Conference/Task chair fits 95% of the office population
 - 5'0" (152 cm) Woman to 6'4" (193 cm) Man
 - 100 to 300 lbs. (45.4 kg – 136 kg)
- Users outside the standard height range can be accommodated by Low or Tall Cylinder

WEIGHT

- 37 lbs. (16.8 kg) Conference/Task chair
- 30 lbs. (13.6 kg) Armless chair

TILT AND RECLINE

- 17° recline plus 8° backrest tilt

REFERENCE ANGLE BETWEEN SEAT AND BACK

- 100° to 125°