

# Liberty® Features & Characteristics



Liberty, with Form-Sensing Mesh Technology, is unlike any mesh chair you've seen or experienced. With its tri-panel construction, Liberty has the body-fitting contours that single-panel stretch mesh chairs simply can't achieve. And it offers perfect lumbar support for everyone, without external devices or manual adjustments. Liberty's mesh back is formed by combining three panels of non-stretch mesh in the same way a tailor combines multiple pieces of material to form a shirt. So its contours are custom-made to both fit and support the human body in unprecedented comfort.



## PHYSICAL CHARACTERISTICS

### CUSHIONS

- Non-stretch, tri-panel mesh back
- Molded polyurethane foam seat cushion
- Duron arm pads
- Optional arm pads and seats have top layer of Technogel®
- Seats upholstered with a variety of materials customized to the unique form of the cushion

### CUSHION PAN, BACK FRAME, FIVE-ARM BASE

- Injection-molded, structural, integral color plastics
- Optional stainless steel caps on base

### EXTERNAL FRAME

- Die-cast aluminum with fused plastic coating or polished aluminum finish

### STORED ENERGY DEVICES

- Nitrogen-charged gas cylinder for adjustable seat height
- Coil spring in the self-adjusting recline mechanism
- Torsion spring in the pivoting backrest

### OPTIONAL FOOT RING

- Chrome-plated steel

# Liberty® Features & Characteristics



## STANDARD FEATURES

### SELF-ADJUSTING RECLINE

- Intelligent counter-balance recline mechanism automatically provides the right amount of support through the full range of recline motion, regardless of user size and weight
- No tension springs to adjust
- No recline locks to set/release
- During recline, the angle between torso and legs opens up for better body function
- User maintains near-constant eye level during recline

### PIVOTING BACKREST

- Extra motion of the backrest during recline automatically adjusts to the changing needs of the spine
- Provides additional lumbar support as needed

### FORM-SENSING MESH

- Tri-panel, non-stretch mesh construction creates body-fitting contours and self-adjusting lumbar support for a customized fit
- No external lumbar devices to adjust, break or lose
- Low-abrasion mesh protects clothing
- Modular for easy replacement

### STANDARD CYLINDER

- Provides seat height range that accommodates 95% of the population

### CONTOURED SEAT CUSHION

- Carefully sculpted to match body contours
- Increased contact area reduces pressure points
- Modular for easy replacement

### BODY FIT

- Size adjustable to fit more than 95% of the population
- Form-Sensing Mesh provides perfect lumbar support—automatically
- Manual adjustments for fit-to-size:
  - Seat Height: 5" adjustment range
  - Seat Depth: 2.25" adjustment range

### CASTERS

- 3" dual-surface casters roll easily on carpeted floors and quietly on hard floors

## OPTIONAL FEATURES

### ARMREST OPTIONS

- Armless
- Fixed armrests
- Height-adjustable armrests with 5" range of adjustment

### GEL SEAT CUSHION

- Non-degradable, non-compressible Technogel® layer on top of foam core
- Provides maximum pressure distribution
- Offers unmatched long-term comfort

### ARM PAD OPTIONS

- Flexible Duron
- Technogel® for optimal comfort

### CYLINDER OPTIONS

- Low cylinder for small users
- Tall cylinder for very tall users
- High cylinder with foot ring
- Return-to-height cylinder returns chair to highest position when user exits chair

### FIREPROOFING

- CAL 133-approved
  - Fireproof barrier between textile and foam
  - Fire-retardant plastics

### CASTER OPTIONS

- Non-rolling glides for fixed location use

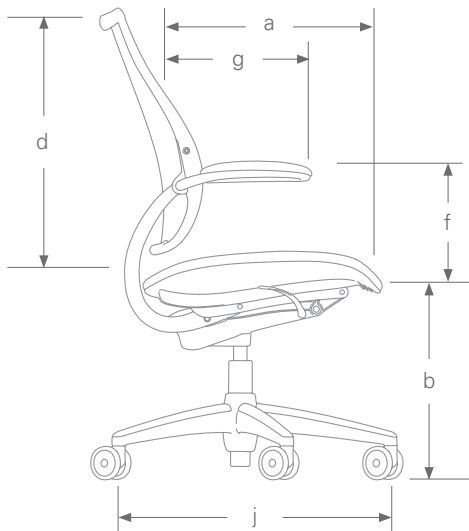
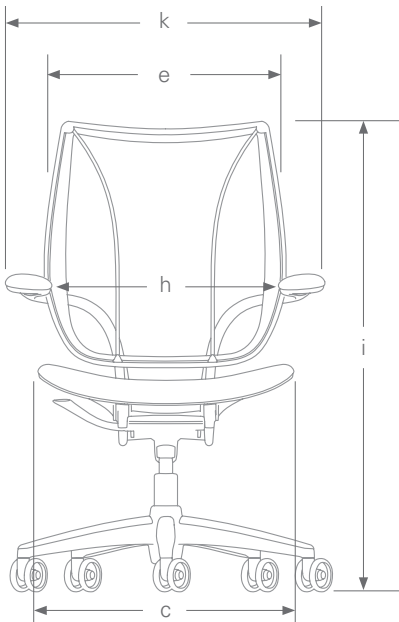
### POLISHED BASE CAPS

- Stainless steel caps on five-star base for wear protection and aesthetic appeal

### FOOT RING

- Chrome finish
- Height-adjustable

## SPECIFICATIONS



| CODE | DESCRIPTION  | MEASUREMENT  |        |
|------|--|--|--------|
|      |  | Conference/Task  | Side   |
| a    | seat depth<br>(from face of lumbar to front of seat)                   | 16.5" – 18.75"   | 17.5"  |
| b    | seat height<br>(from floor to compressed front center of seat cushion) | 16" – 21" standard chair<br>15.25" – 19" low chair<br>17" – 22.25" tall chair<br>20.5" – 28.5" high chair with foot ring                       | 18"    |
| c    | seat width   | 21"  | 20.75" |
| d    | backrest height<br>(from seat cushion to top of backrest)              | 22.5"  | 18.5"  |
| e    | backrest width   | 20"  | 19.75" |
| f    | armrest height<br>(from compressed seat cushion to top of armrest)     | 10" fixed<br>6.5" – 11.5" adjustable   | 9.5"   |
| g    | armrest length<br>(from face of lumbar to front of armrest)            | 12.25"   | 12"    |
| h    | distance between armrests  | 19"  | 19.25" |
| i    | height   | 38.5" – 43.5" standard chair<br>37.75" – 41.5" low-cylinder chair<br>39.5" – 44.75" tall-cylinder chair<br>43" – 51" high chair with foot ring | 35.5"  |
| j    | base diameter  | 25"  | N/A    |
| k    | chair width  | 26.5"  | 24.75" |

### SCOPE OF USERS

- Conference/Task chair fits more than 95% of the office population
  - 5'0" Woman to 6'4" Man
  - 100 to 300 lbs.
- Users outside the standard range can be accommodated by Low or Tall Cylinder

### WEIGHT

- 40 lbs. *Conference/Task chair*
- 21 lbs. *Side chair*

### TILT AND RECLINE

- 17° recline plus 7° backrest tilt  
*Conference/Task chair*

### REFERENCE ANGLE BETWEEN SEAT AND BACK

- 100° to 124° *Conference/Task chair*

## ENVIRONMENTAL HIGHLIGHTS

- Made predominantly of aluminum, followed by steel and plastic
- Contains recycled content
- Weighs as little as 40 lbs, reducing carbon footprint in shipping
- Designed for easy disassembly with clear recycling guidelines
- Ships in recycled packaging, or blanket-wrapped, when feasible
- Certified by GREENGUARD and BIFMA level®
- Can earn points toward LEED Certification in a number of areas